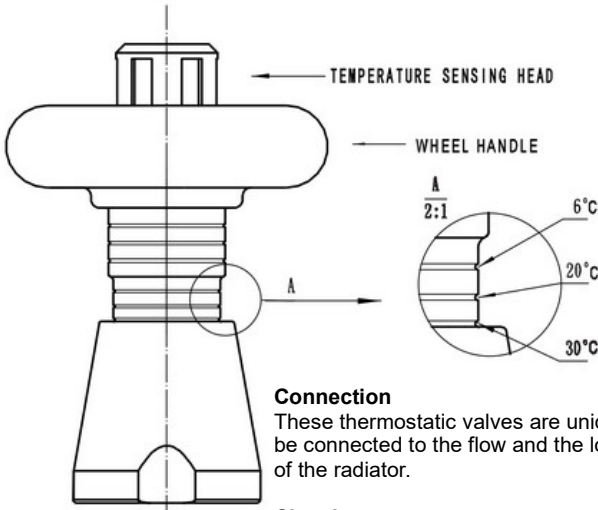


Traditional Thermostatic Radiator Valve



Temperature sensing head
Do not cover and keep clean from dust

Connection

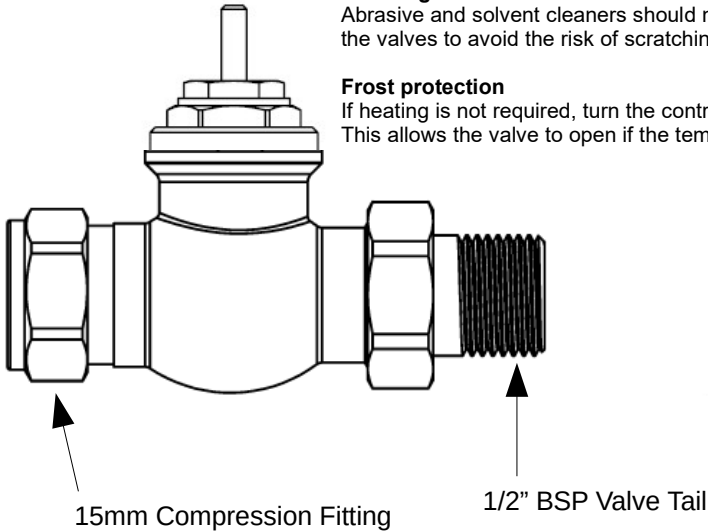
These thermostatic valves are unidirectional. The TRV should be connected to the flow and the lockshield to the return side of the radiator.

Cleaning

Abrasive and solvent cleaners should not be used when cleaning the valves to avoid the risk of scratching the decorative surface.

Frost protection

If heating is not required, turn the control head fully clockwise. This allows the valve to open if the temperature falls below 5°C.



Positive Lock-Off Maintenance Cap (also known as a decorator's cap)

This can be used when removing the radiator from the system to ensure a positive lock-off: Open the valve fully, then unscrew the thermostatic head, place this cap on top of the valve pin, replace the thermostatic head. Once inserted finger-tighten the head only. A 1/4 turn is usually sufficient, do not excessively tighten.